



## **WL77 Single Aviation Obstruction Light**

---

### **Data Sheet**

Rev: 0.2V

## **Descriptions**

The WL77 Single Aviation Obstruction Light is designed for marking Towers (Telecom, GSM), Cranes, Hoists, Chimneys, Buildings and any other potentially hazardous obstructions to air traffic.

The enclosure of WL77 is made of die casting aluminum with yellow colour powder coated finish. This gives the advantages of being lightweight, waterproof, shockproof and corrosion resistant. Base cable entry is available giving ease of mounting and maintenance. A steel wire is used to connect to the base to protect against falling during operation and maintenance. The light source consists of external long life LEDs, to ensure maximum life of the product.



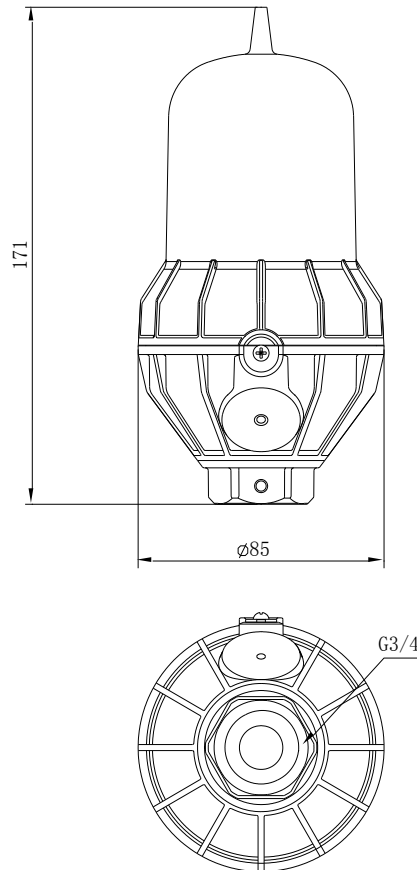
**Main Functions & Features:**

- Use of a Fresnel lens for even distribution of the light and ensures the light beam is in the scope as required.
- Based on LED technology for low power consumption and high efficiency.
- Lamp housing – Polycarbonate cover with good anti-impact strength, thermal stability and high transmittance.
- Die casting aluminum base with yellow colour powder-coated paint finish (available in red also), provides corrosion resistance and durability.
- G3/4” pipe available separately for ease of mount.
- Self-contained compartment, with stainless steel wire which is used to secure the unit against falling during maintenance.
- Built-in photocell can switch ON/OFF the light at dawn and dusk (optional).
- Steady burning or flashing type (no need external controller).

**Specifications**

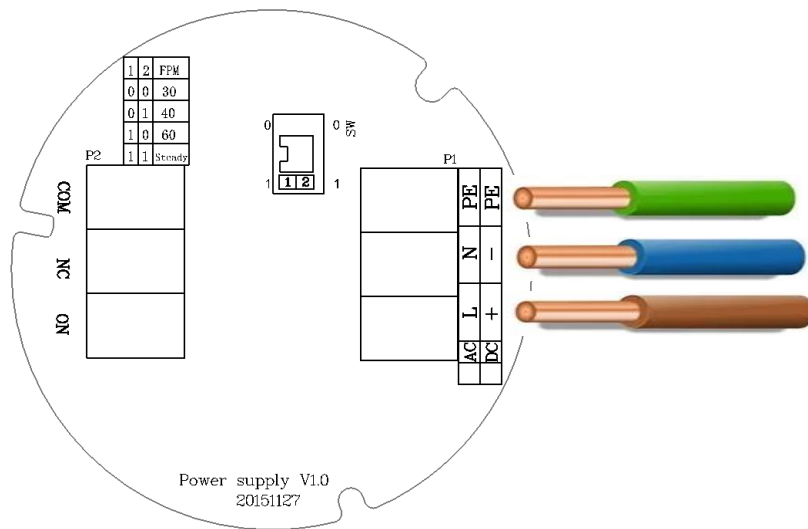
Standard	ICAO (Aerodromes Annex 14) and FAA-L810	Vertical degree	≥10°
Light source	LED	Horizontal degree	360°
LED color	Aviation red (Other colors available, red, white & orange)	Flashing rate	Steady burning or flashing (flashing rate can be selected)
Operating voltage	AC110V~AC240V	LED life	≥100,000h
Power consumption	4W	Integrated Photocell - On/off level	500Lux (Optional feature: Integrated Photocell)
Intensity	32cd		
Operating temperature	-20°C ~ +50°C	IP Protection	IP66
Relative humidity	10% ~ 95% (no condensing )	Weight	0.3kg
Material	Base : Die casting aluminum Housing: PC		

## Dimension



## Wiring

- Check whether the supply voltage does comply with the rated voltage of the lamp (Pay attention to the polarity in case of DC voltage).
- Insert the power cable through the bottom of the lamp holder, and connect them to the terminals in the base respectively.
- Connect the earth wire to the corresponding earth terminals.
- Tighten the screws between the lamp housing and base.
- Screw the lamp on the G3/4" (G1") threaded pipe, which should be fixed on a smooth surface with enough mechanical strength.
- Verify whether the power cables are well connected before the power is switched on.



➤ **Above: Internal PCB showing connection terminals**

**Note:**

- Please use the product strictly according to the instructions above.
- Because Delta has a policy of continuous product improvement, we reserve the right to change design and specifications without notice.

**DELTA OBSTRUCTION LIGHTING LTD.**  
AVIATION HOUSE  
MELLOR STREET  
ROCHDALE  
GREATER MANCHESTER  
OL12-6AA  
  
TEL: 0161 379 0400  
FAX: 0161 785 4941